

THOR-50M IR-TRACC Adaptors TE-3700-IRKIT, 11850

Publication Date: August, 2017



Figure 1: Three of the six varieties of devices used in THOR, upper thorax, lower thorax and abdomen, all right hand shown.

An update to the THOR-50M IR-TRACC (Infra-Red Telescoping Rod for Assessment of Chest Compression) calibration adaptors provides improved mounting assembly convenience to the linear transducer calibrator fixture.

Background

The THOR-50M IR-TRACC calibration adaptors are used to mount the THOR-50M IR-TRACCs to the linear transducer calibrator fixture (Figure 2). The calibration post secures the fixed end of the IR-TRACC to the fixture base and the end adaptor secures the free end of the IR-TRACC to the adjustable slide.

Updated THOR-50M Adaptors

The previous slide end adaptor design for the THOR-50M Chest IR-TRACC required disassembly of the universal joint from the IR-TRACC free end and replacement with a ball joint to accommodate the existing mounts to the fixture slide. The

updated slide end adaptor will no longer require disassembly of the universal joint from the IR-TRACC and improve the IR-TRACC to calibration fixture assembly convenience. The updated slide end adaptor design also accommodates the THOR-50M Abdomen IR-TRACC to also improve assembly convenience. However, a new fixture base mounted calibration post is required for use with the Abdomen IR-TRACCs to accommodate the new slide end adaptor design.

(Con't)

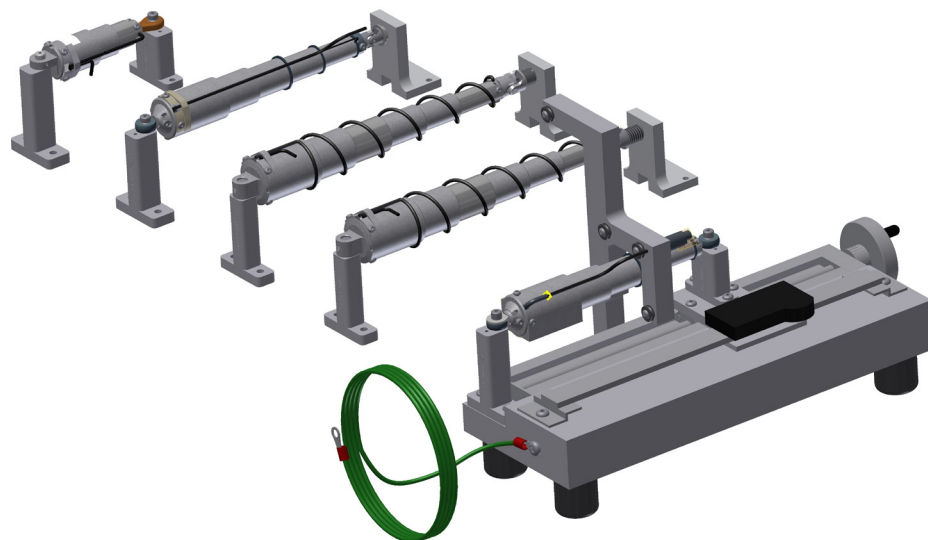


Figure 2: TE-3700-IRKIT Linear Transducer Calibrator with IR-TRACC adaptors

THOR-50M IR-TRACC Adaptors (Con't)

Implementation

The updated THOR-50M IR-TRACC calibration adaptors are immediately available under THOR IR-TRACC adaptor upgrade kit, part number 11850.

Part numbers 11308, 11309, and 11311 will no longer be used once the upgrade has been made. The new replacement parts under upgrade kit 11850 are 11848, 11849, 5000002, and 9000147. See table 1 for adaptor details.

Table 1: THOR-50M IR-TRACC mounting adaptors for TE-3700 linear transducer calibrator fixture.

THOR-50M IR-TRACC	Dummy Location	Fixed End Mounting (Old Design)	Fixed End Mounting (Updated)	Free End Mounting (Old Design)	Free End Mounting (Updated)
IF-364-C	Chest (Metric)	TE-3700-01 (Base Post)	TE-3700-01 (Base Post)	3670-10 (Ball Joint)	11848 (Thor IR-TRACC End Adaptor)
		11594 (IR-TRACC Adaptor-Metric)	11594 (IR-TRACC Adaptor-Metric)	11596 (Modified SHSS)	5000002 (M5 X 0.8 X 12 LG. SHCS)
		11596 (Modified SHSS)	11596 (Modified SHSS)	TE-3600-10 (Head Post)	
		5001073 (M2.5 X 0.45 X 6 LG. SHCS)	5001073 (M2.5 X 0.45 X 6 LG. SHCS)		
472-4750	Abdomen (Metric)	11311 (Calibration Post)	11849 (Calibration Post)	11308 (120mm IR-TRACC Adaptor-Metric)	11848 (Thor IR-TRACC End Adaptor)
					5000002 (M5 X 0.8 X 12 LG. SHCS)
9910	Abdomen (English)	11311 (Calibration Post)	11849 (Calibration Post)	11309 (120mm IR-TRACC Adaptor-English)	11848 (Thor IR-TRACC End Adaptor)
					9000147 (#10-32 X 1/2 LG. SHCS)